

Let's start with the PRIMA

A solution that only a pioneer can offer

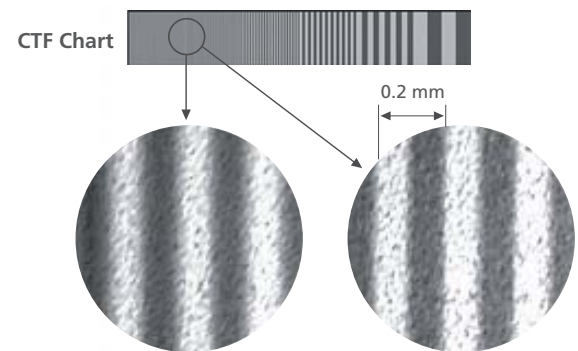




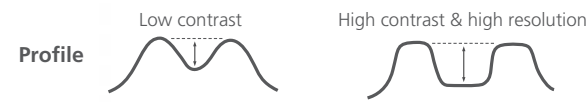
The DRYPIX PRIMA – a tabletop laser imager that offers high-resolution images and helps to improve the accuracy of your diagnosis.

Higher resolution in bigger format

What customers consider most important in a dry laser is its reliability, based on printing of stable and high-quality images which allow minute lesions to be clearly identified. Fujifilm's DRYPIX PRIMA uses extremely fine laser beams which reduce blur thus achieving a very high CTF*1 and allowing the output of very sharp images as shown in the figure below. Each printed image is bigger than that of competitors. It is sure to provide you with clinical and economical advantages.



Company X (more than 600dpi*2) DRYPIX PRIMA (254dpi)



*1: CTF (Contrast Transfer Function)
*2: dpi (dot per inch)

The DRYPIX PRIMA offers all the advantages of being digital. Daylight operation means you don't need a darkroom and as it's a DRY system, you don't have to work with chemicals. As the laser prints so quickly, you can reach your diagnosis faster. Due to its high-contrast and high-resolution imaging capabilities, you can also improve the accuracy of your diagnosis. The DRYPIX PRIMA is sure to support all your diagnostic imaging needs.



Tabletop laser imager

The DRYPIX PRIMA is a compact and lightweight unit that can be located on a tabletop or workbench making it particularly suitable for sites with limited space.



Easy operation with one press of a button

Digital image data sent from the console can be output to film by pressing just one button.



Speedy output

Since this imager outputs films at 55 films (35 x 43cm) per hour, the processing time can be greatly shortened.

Output in five film sizes with one film tray

You can load one of five types of DI-HL film that fits your diagnostic needs. By adjusting the tray lever on the tray to the film size you want, you can output films in five different sizes.



- 35x43 (14x17) 35x35 (14x14) 26x36 25x30 (10x12) 20x25 (8x10)

ECO-DRY System

This system is environmentally friendly, from films to processing. DRYPIX medical films employ unique aqueous solvents that are free from unpleasant odor and create neutral colored images so crisp, they're indistinguishable from those printed on wet halide film. Additional ECO-DRY advantages include our development of new liquid-coating technology, which minimizes the need for harmful organic solvents like methyl-ethyl ketone and toluene in the thermal development of light-sensitive materials.

Connectable to meet various needs

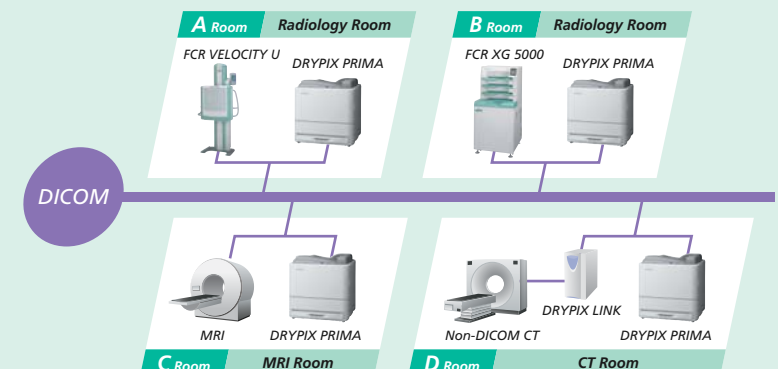
The DRYPIX PRIMA's built-in DICOM Print Server ensures fast, error-free connection, for instantaneous communication with any DICOM print-compliant modality on the network.

DRYPIX LINK

The DRYPIX LINK connects to non-DICOM modalities, sending image data to DRYPIX through the DICOM network. The DRYPIX LINK is a compact unit that can be set on a tabletop or workbench.



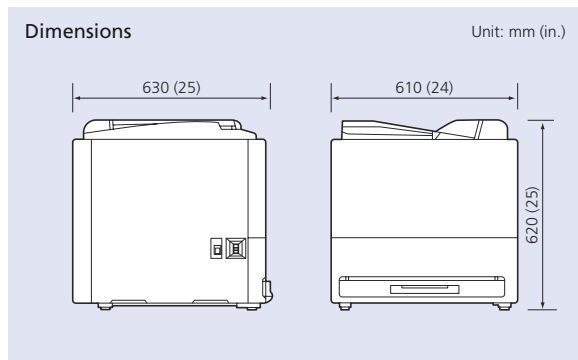
System configuration example



DRYPIX PRIMA Specifications

Standard Components	DRYPIX PRIMA Dry Laser Imager (Model: FM-DL 100)
Recording Method	Laser exposure thermal development system
Film Type	Fuji Medical Dry Imaging Film DI-HL: 35 x 43 (14"x 17"), 35 x 35 (14"x 14"), 26 x 36, 25 x 30 (10"x 12"), 20 x 25 (8"x 10")
Film Loading	Daylight film loading
Film Tray	1 tray (5 sizes of film are available by changing film trays)
Processing Capacity	Up to 70 films/hr.
Time Required for First Output	Min. 85 sec.
Grayscale Resolution	14 bits
Pixel Size	100 μm
Input Channels	One DICOM network channel
Image Memory	512 MB
Density Adjustment	Automatic density correction
Dimensions (W x D x H)	610 x 630 x 620mm (24"x 25"x 25")
Weight	85kg (187lbs.)
Power Supply Conditions	Single phase 50-60Hz AC100/110/120V ±10% 12A (UL) AC200/220/230/240V ±10% 6A (CE)
Environmental Conditions	Operating Conditions: <ul style="list-style-type: none"> • Temperature: 15-30°C • Humidity: 15-70%RH (No dew condensation) • Atmospheric pressure: 750-1060hPa

This equipment is a Class 1 laser product (IEC60825).

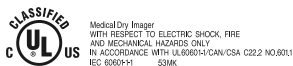


Fuji Medical Dry Imaging Film DI-HL

- 35 x 43 (14 x 17): 100 sheets/pack
- 35 x 35 (14 x 14): 100 sheets/pack
- 26 x 36: 150 sheets/pack
- 25 x 30 (10 x 12): 150 sheets/pack
- 20 x 25 (8 x 10): 150 sheets/pack



Specifications are subject to change without notice.
 All brand names or trademarks are the property of their respective owners.
 In some countries, regulatory approval may be required to import medical devices.
 For the availability of these products, please contact your local sales representatives.



FUJIFILM

FUJIFILM Corporation

26-30, NISHIAZABU 2-CHOME, MINATO-KU, TOKYO 106-8620, JAPAN
<http://www.fujifilm.com/products/medical/>

Ref. No. XB-967E (SK-09-08-F1120-F9711) Printed in Japan ©2009 FUJIFILM Corporation